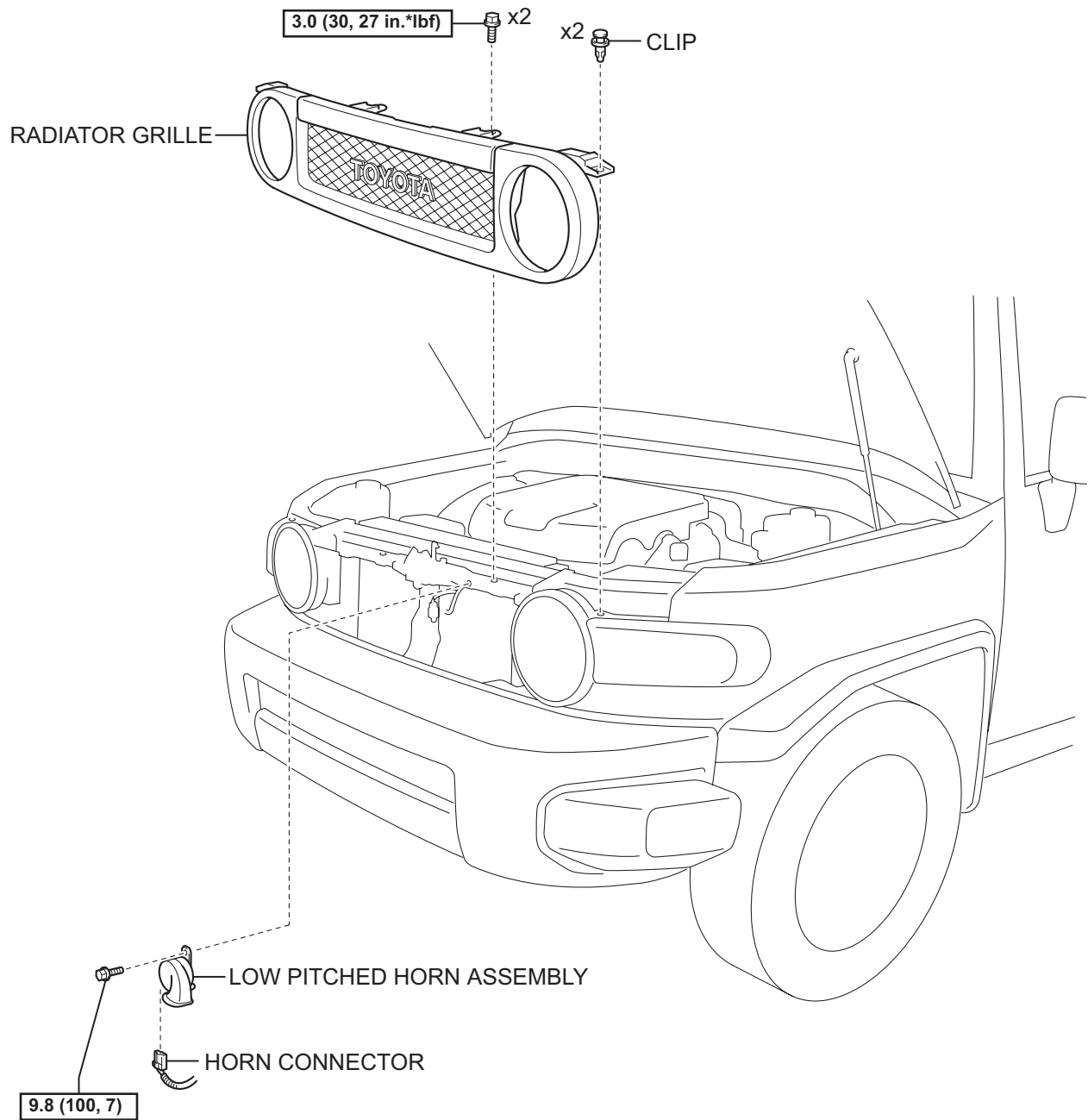


LOW PITCHED HORN

COMPONENTS

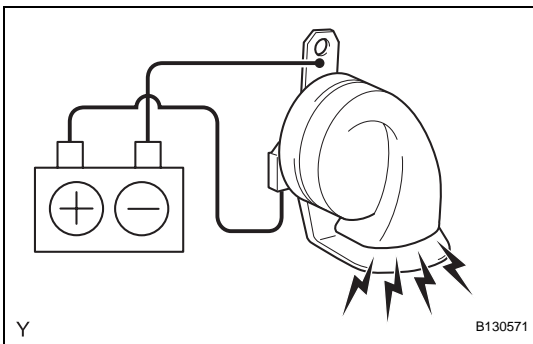
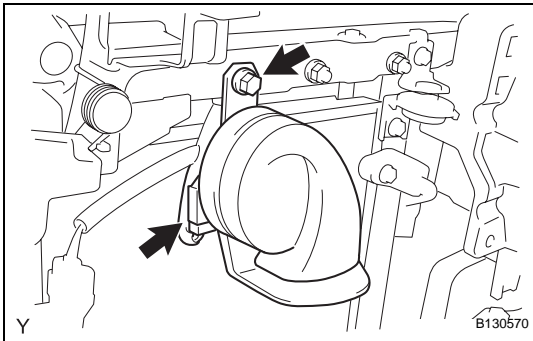


N*m (kgf*cm, ft*lbf) : Specified torque

HO

REMOVAL

1. **DISCONNECT CABLE FROM NEGATIVE BATTERY TERMINAL**
2. **REMOVE RADIATOR GRILLE (See page ET-4)**
3. **REMOVE LOW PITCHED HORN ASSEMBLY**
 - (a) Disconnect the horn connector.
 - (b) Remove the bolt and the low pitched horn.



INSPECTION

1. **INSPECT LOW PITCHED HORN ASSEMBLY**
 - (a) Check the operation.
 - (1) Apply battery voltage to the terminal and bracket, and check that the horn sounds.

Standard

Condition	Standard
Positive battery - Terminal 1 (IG+) Negative battery - Horn bracket	Horn sounds

If the result is not as specified, replace the low pitched horn.

INSTALLATION

1. **INSTALL LOW PITCHED HORN ASSEMBLY**
 - (a) Install the low pitched horn with the bolt.

Torque:
9.8 N*m (100 kgf*cm, 7 ft.*lbf)

NOTICE:
Do not place the low pitched horn over the stopper of the body.
 - (b) Connect the horn connector.
2. **INSTALL RADIATOR GRILLE (See page ET-11)**
3. **CONNECT CABLE TO NEGATIVE BATTERY TERMINAL**

Torque: 3.9 N*m (40 kgf*cm, 35 in.*lbf)

