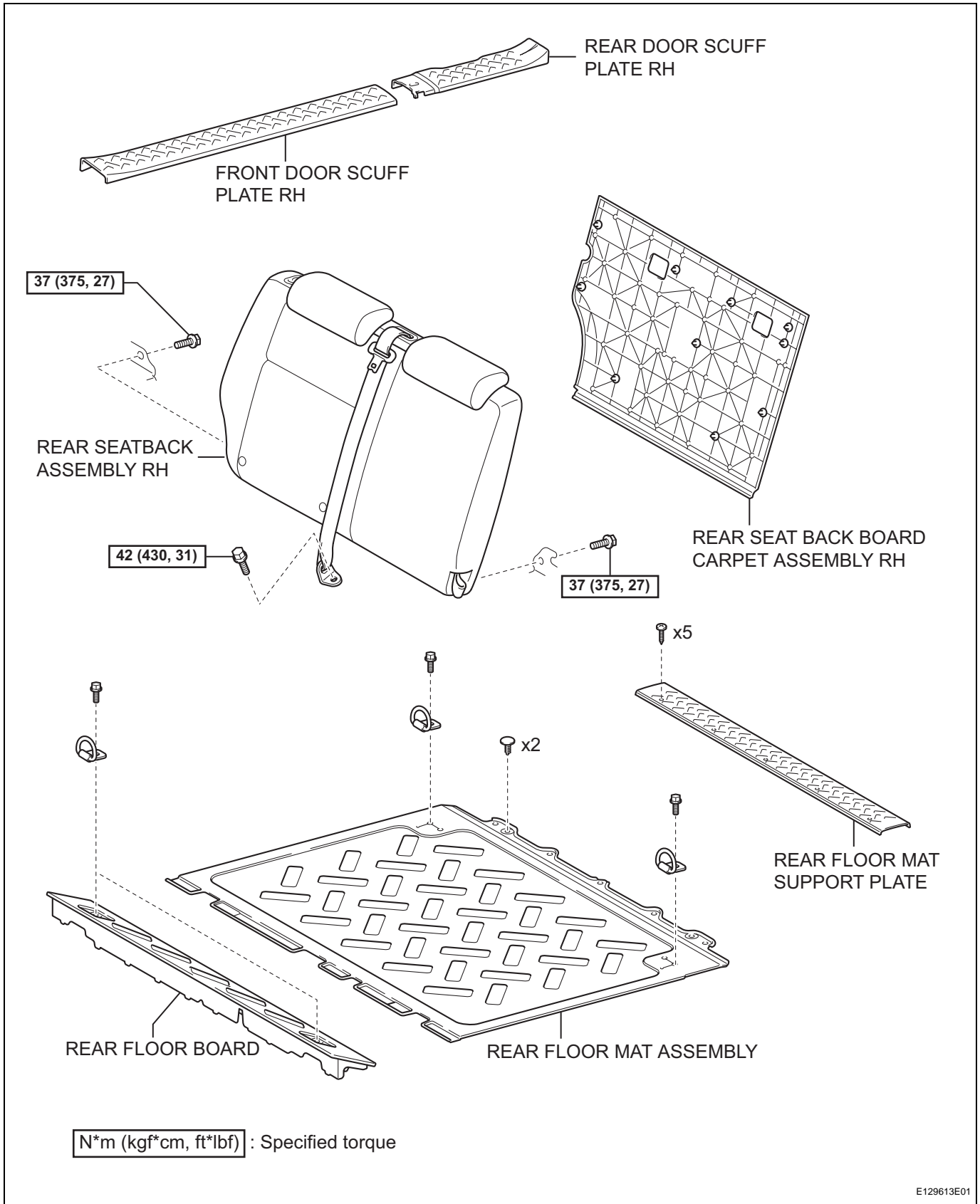


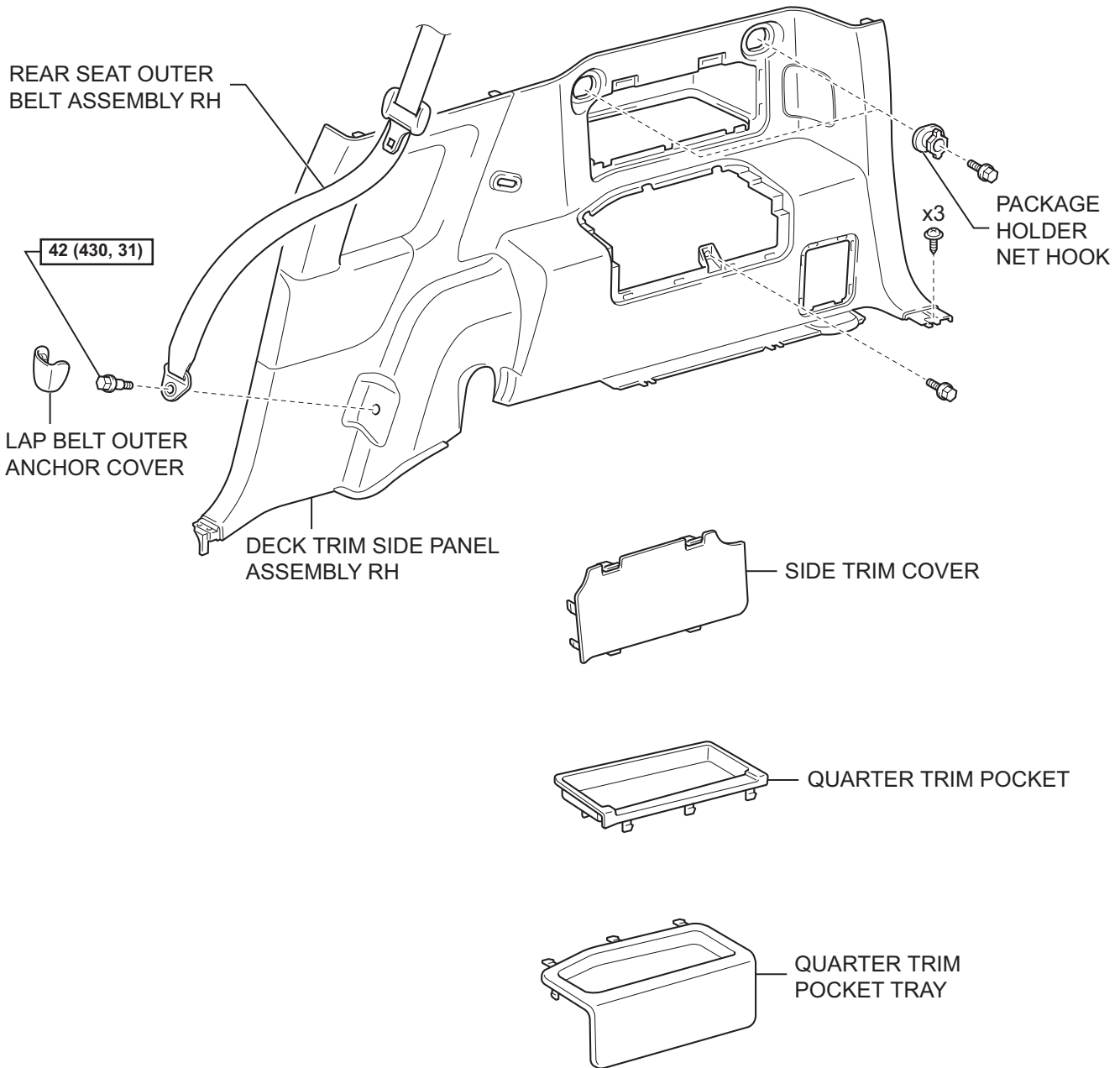
VOLTAGE INVERTER

COMPONENTS



OT

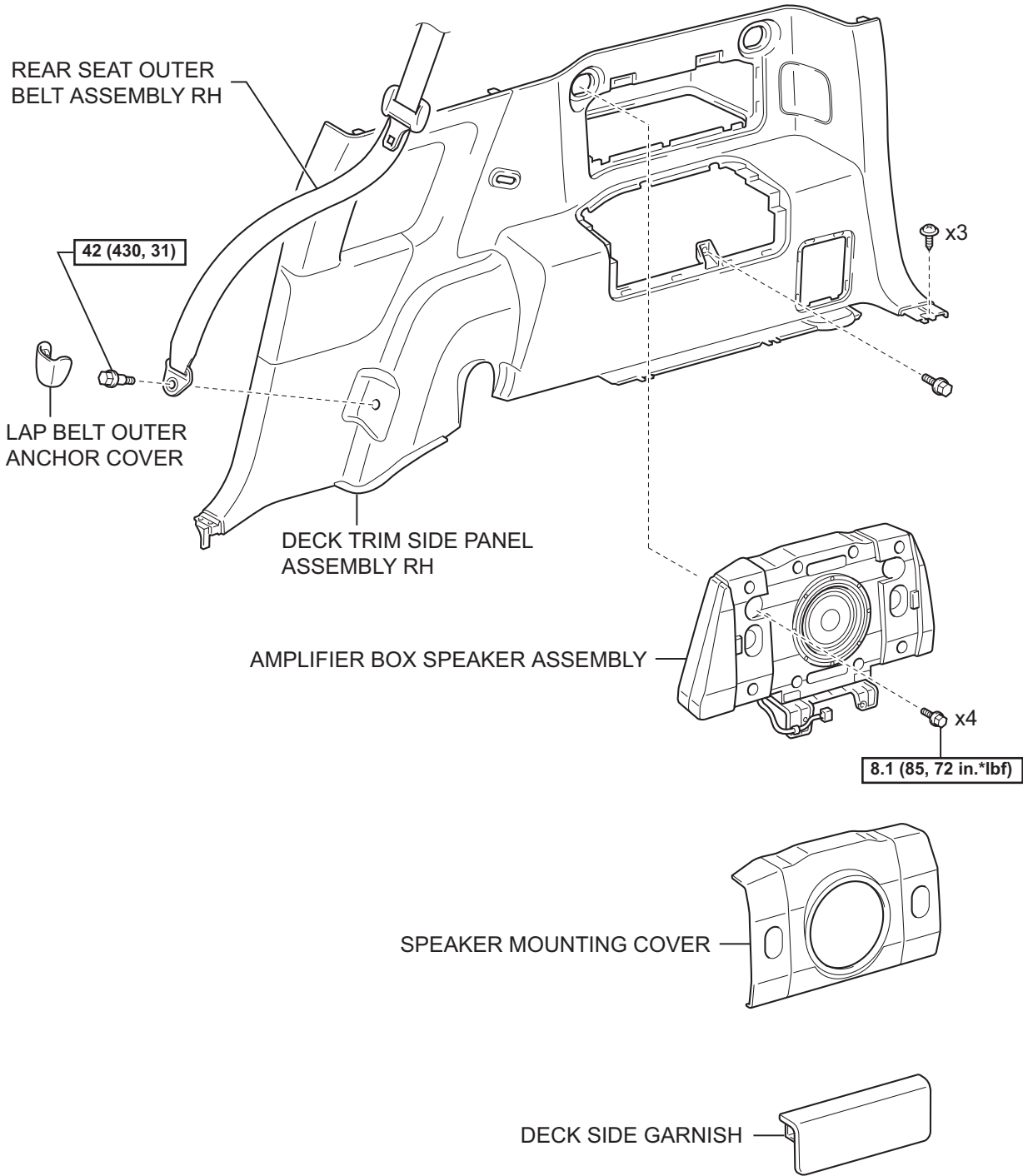
w/o Amplifier Box Speaker Assembly:



N*m (kgf*cm, ft*lbf) : Specified torque

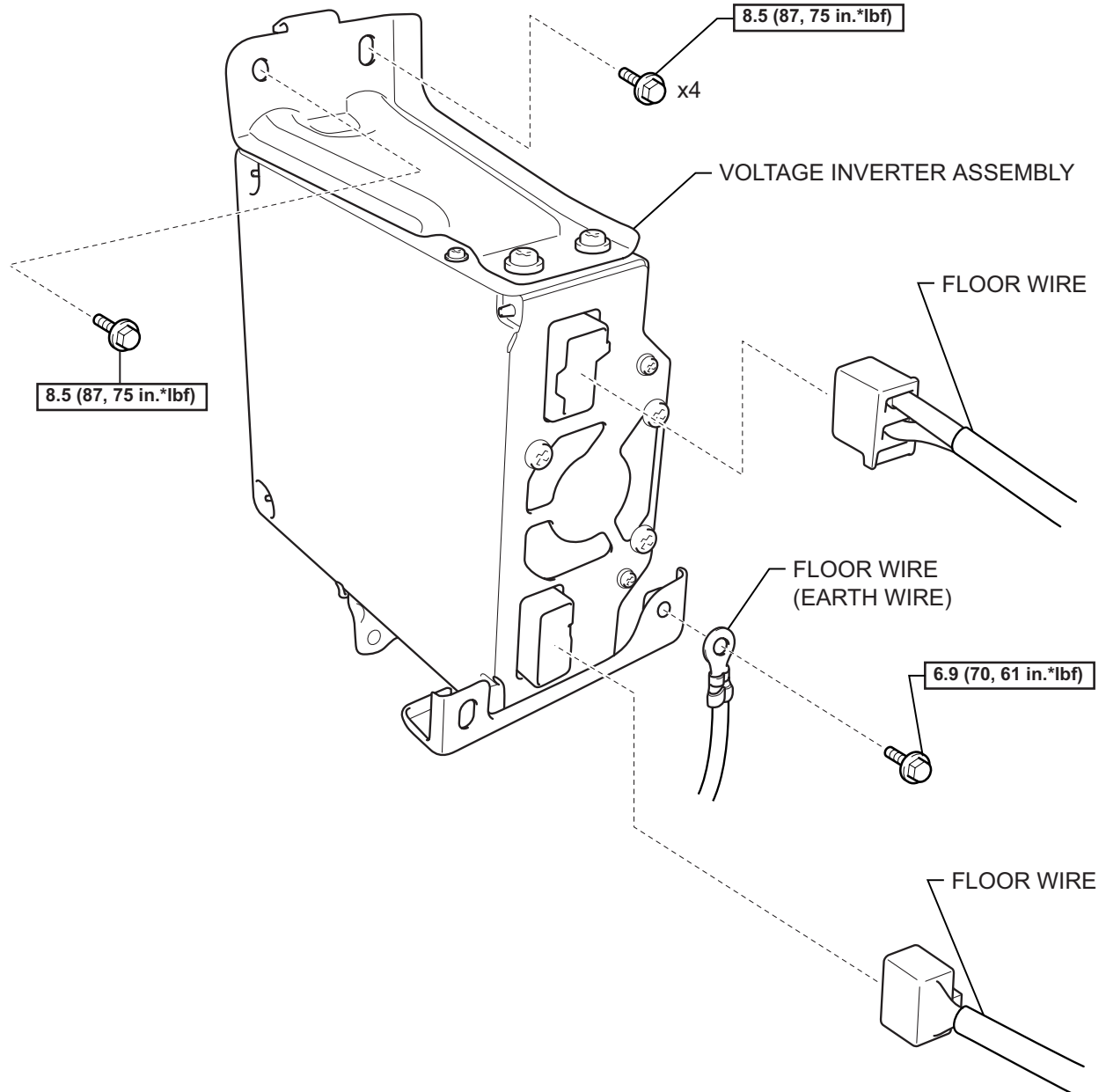
OT

w/ Amplifier Box Speaker Assembly:



N*m (kgf*cm, ft*lbf) : Specified torque

OT



N*m (kgf*cm, ft*lbf) : Specified torque

OT