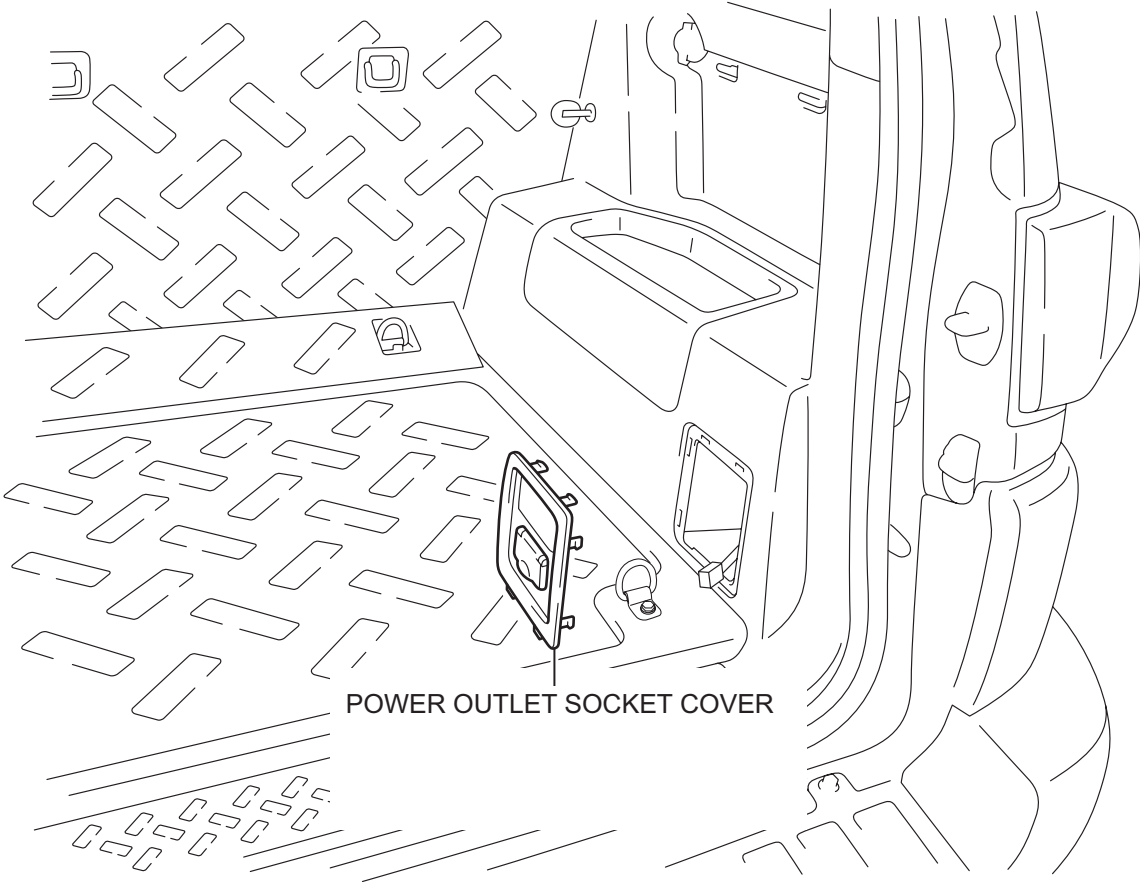


# REAR POWER OUTLET SOCKET

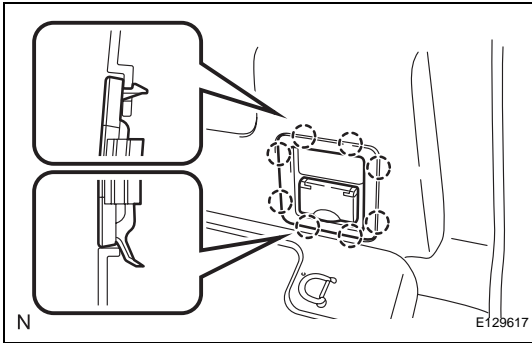
## COMPONENTS



OT

## REMOVAL

1. **DISCONNECT CABLE FROM NEGATIVE BATTERY TERMINAL**
2. **REMOVE POWER OUTLET SOCKET COVER**
  - (a) Disengage the 8 claws and remove the power outlet socket cover.
  - (b) Disconnect the connector.



## INSTALLATION

1. **INSTALL POWER OUTLET SOCKET COVER**
  - (a) Connect the connector.
  - (b) Engage the 8 claws and install the power outlet socket cover.
2. **CONNECT CABLE TO NEGATIVE BATTERY TERMINAL**

**Torque: 3.9 N\*m (40 kgf\*cm, 35 in.\*lbf)**

