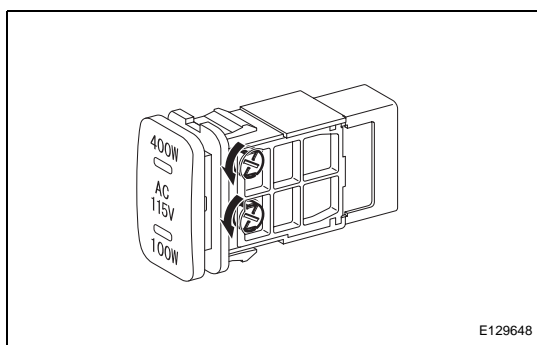
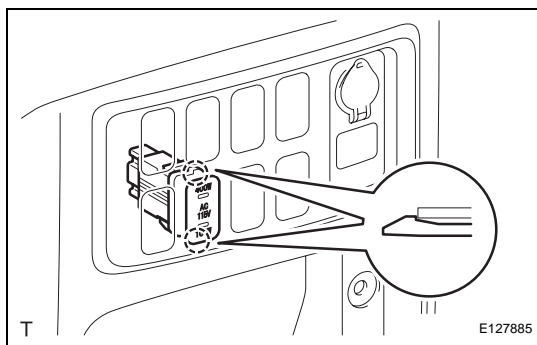
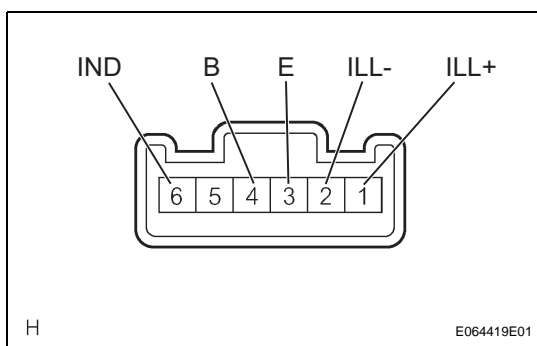


REMOVAL

1. DISCONNECT CABLE FROM NEGATIVE BATTERY TERMINAL
2. REMOVE PARKING BRAKE HOLE COVER (See page [IP-11](#))
3. REMOVE SHIFT LEVER KNOB SUB-ASSEMBLY (for Manual Transmission) (See page [IP-11](#))
4. REMOVE SHIFT LEVER KNOB SUB-ASSEMBLY (for 4WD) (See page [IP-11](#))
5. REMOVE CONSOLE UPPER REAR PANEL SUB-ASSEMBLY (See page [IP-12](#))
6. REMOVE BOX BOTTOM MAT (See page [IP-12](#))
7. REMOVE CONSOLE BOX ASSEMBLY REAR (See page [IP-12](#))
8. REMOVE INSTRUMENT LOWER COVER SUB-ASSEMBLY (See page [IP-13](#))
9. REMOVE INVERTER MAIN SWITCH
 - (a) Disengage the 2 clips and remove the inverter main switch.



10. REMOVE INVERTER MAIN SWITCH BULB
 - (a) Turn the inverter main switch bulb, in the direction indicated by the arrow in the illustration, to remove it.



INSPECTION

1. INSPECT INVERTER MAIN SWITCH
 - (a) Check the resistance.
 - (1) Measure the resistance and check the results in accordance with the value(s) in the tables below.

Standard resistance (Switch operation)

Tester Connections	Conditions	Specified Conditions
B (4) - E (3)	Main switch OFF	10 k Ω or higher
B (4) - E (3)	Main switch ON	Below 1 Ω

If the result is not as specified, replace the inverter main switch.

Standard resistance (Indicator light circuit)

Tester Connections	Conditions	Specified Conditions
IND (6) - E (3)	Main switch OFF	10 k Ω or higher
IND (6) - E (3)	Main switch ON	20 to 30 Ω

If the result is not as specified, replace the bulb.

Standard resistance (Illumination circuit)

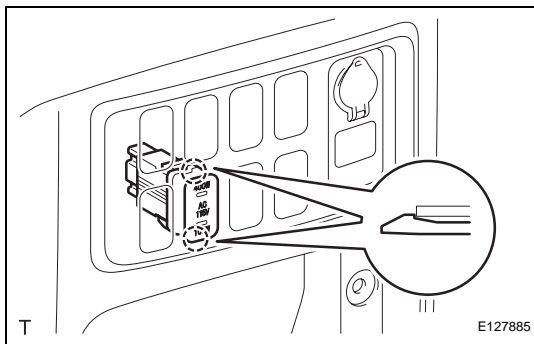
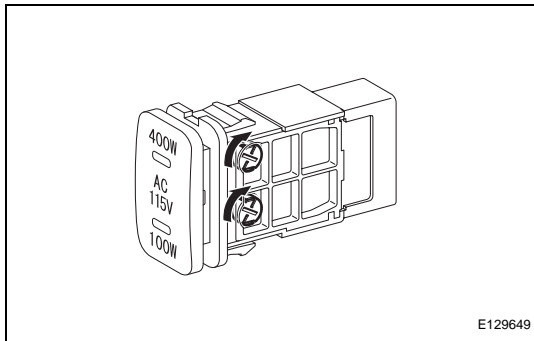
Tester Connections	Conditions	Specified Conditions
ILL+ (1) - ILL- (2)	Always	20 to 30 Ω

If the result is not as specified, replace the bulb.

INSTALLATION

1. INSTALL INVERTER MAIN SWITCH BULB

- (a) Turn the inverter main switch bulb, in the direction indicated by the arrow in the illustration, to install it.



2. INSTALL INVERTER MAIN SWITCH

- (a) Engage the 2 clips and install the inverter main switch.

3. INSTALL INSTRUMENT LOWER COVER SUB-ASSEMBLY (See page [IP-30](#))

4. INSTALL CONSOLE BOX ASSEMBLY REAR (See page [IP-31](#))

5. INSTALL BOX BOTTOM MAT (See page [IP-31](#))

6. INSTALL CONSOLE UPPER REAR PANEL SUB-ASSEMBLY (See page [IP-31](#))

7. INSTALL SHIFT LEVER KNOB SUB-ASSEMBLY (for 4WD) (See page [IP-32](#))

8. INSTALL SHIFT LEVER KNOB SUB-ASSEMBLY (for Manual Transmission) (See page [IP-32](#))

9. INSTALL PARKING BRAKE HOLE COVER (See page [IP-32](#))

10. CONNECT CABLE TO NEGATIVE BATTERY TERMINAL

Torque: 3.9 N*m (40 kgf*cm, 35 in.*lbf)