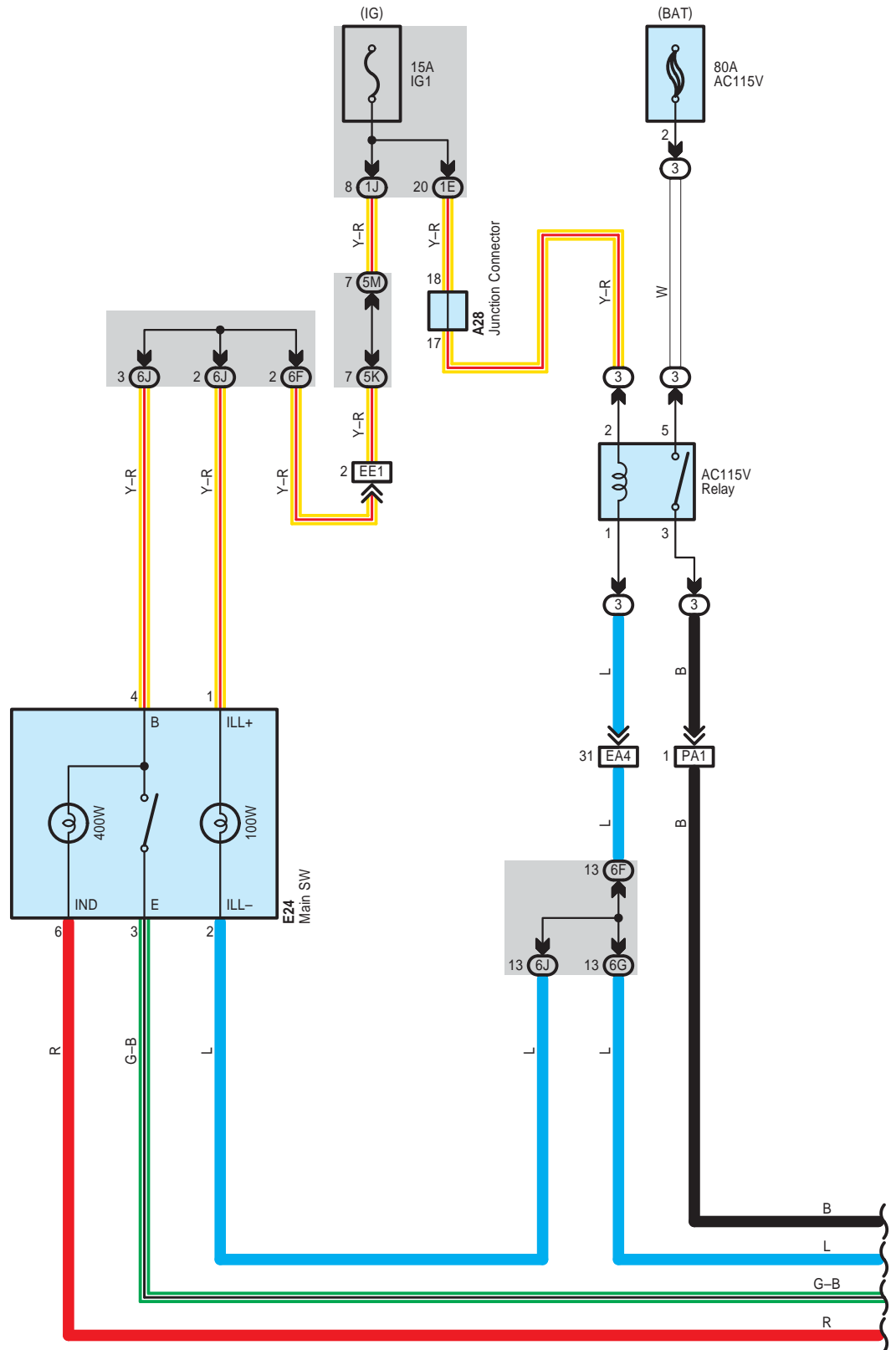
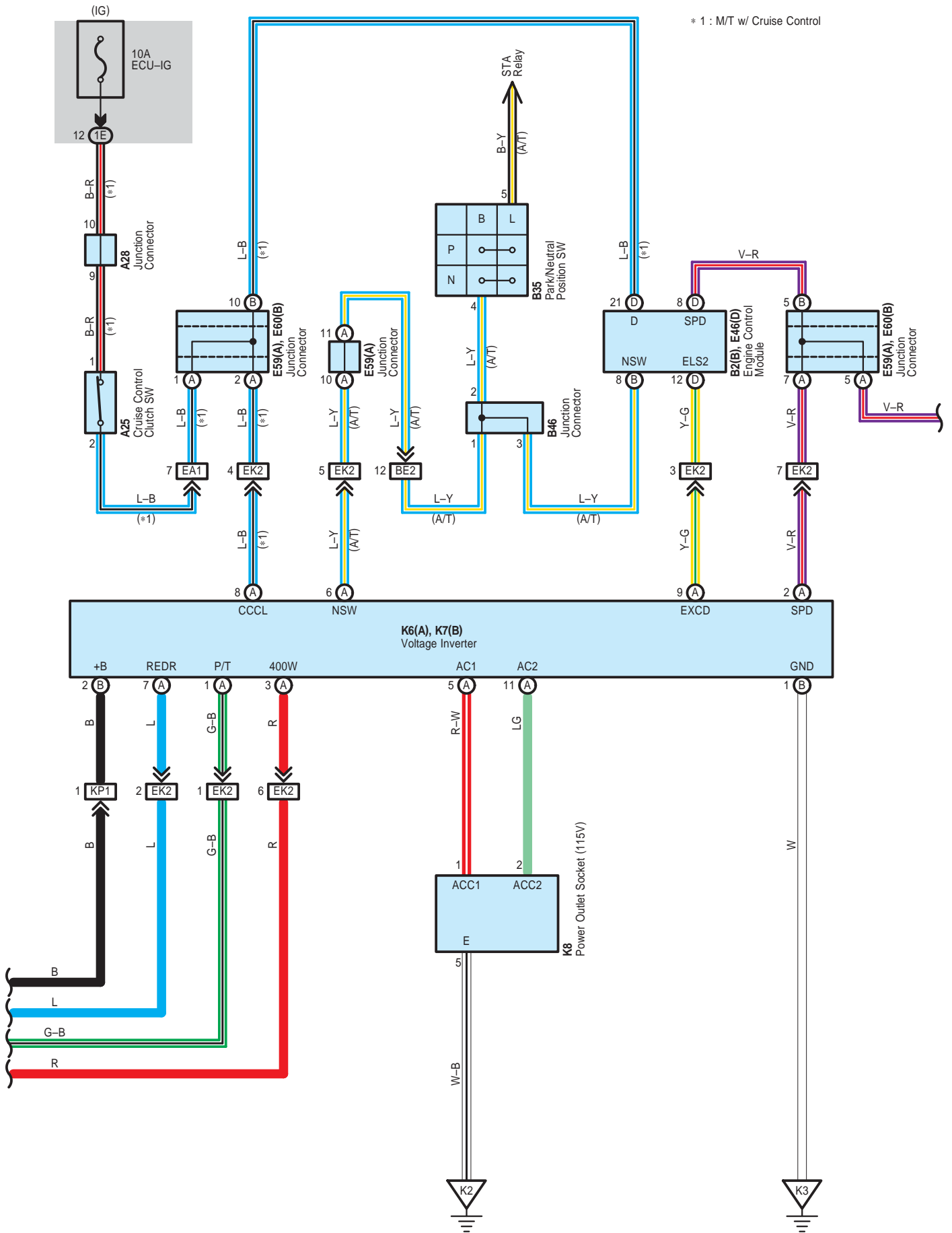
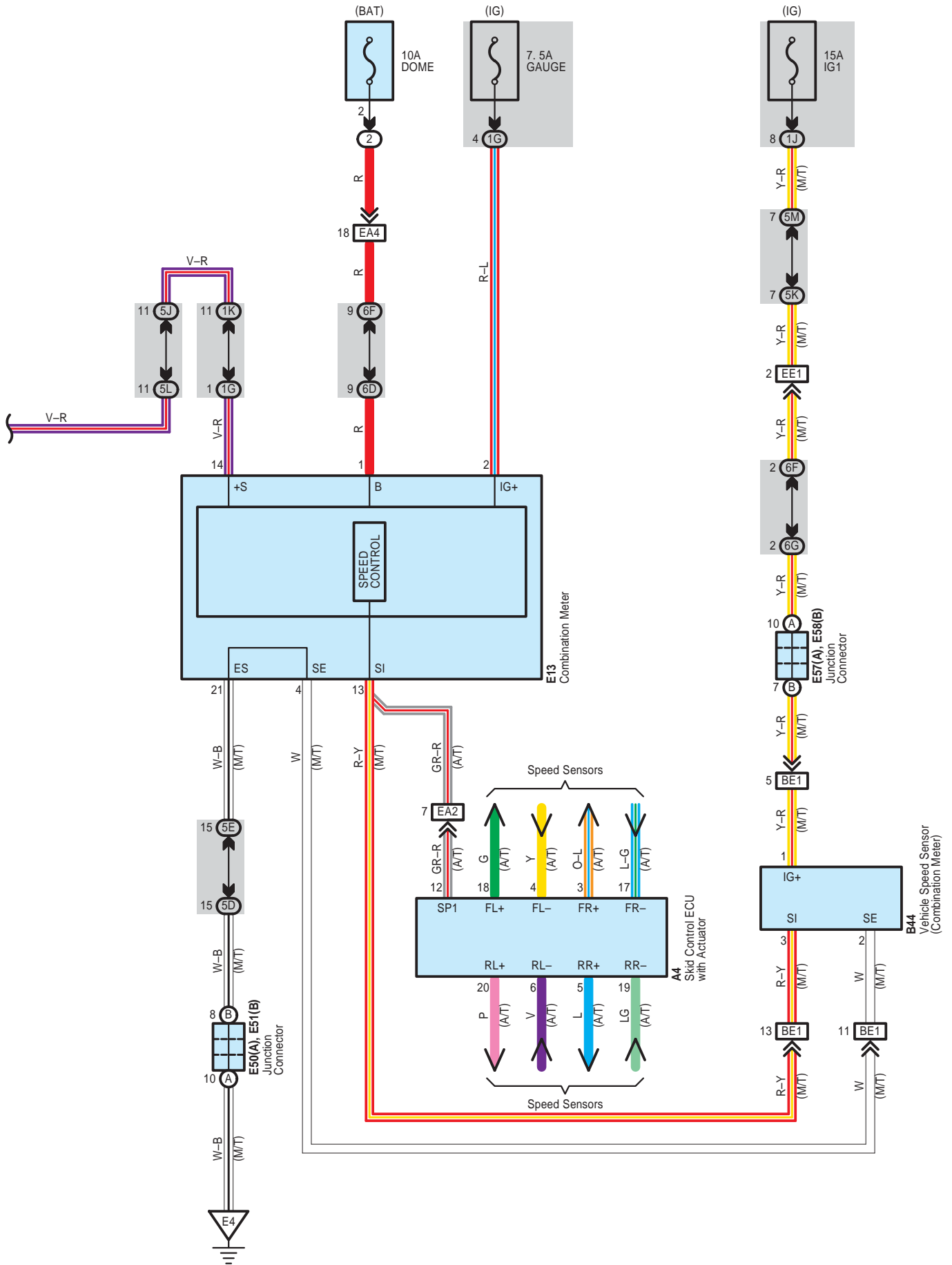


Power Outlet for 115V





Power Outlet for 115V



 : Parts Location

Code	See Page	Code	See Page	Code	See Page
A4	38	E13	42	E59	A 44
A25	45	E24	42	E60	B 44
A28	38	E46	D 43	K6	A 46
B2	B 45	E50	A 44	K7	B 46
B35	40	E51	B 44	K8	46
B44	40	E57	A 44		
B46	45	E58	B 44		

 : Relay Blocks

Code	See Page	Relay Blocks (Relay Block Location)
2	22	Engine Room R/B No.2 (Engine Compartment Left)
3	23	Engine Room R/B No.3 (Engine Compartment Left)

 : Junction Block and Wire Harness Connector

Code	See Page	Junction Block and Wire Harness (Connector Location)
1E	24	Engine Room Main Wire and Driver Side J/B (Lower Finish Panel)
1G	25	Instrument Panel Wire and Driver Side J/B (Lower Finish Panel)
1J		
1K		
5D	28	Instrument Panel Wire and Center J/B LH (Instrument Panel LH)
5E		
5J		
5K		
5L		
5M	32	Instrument Panel Wire and Center J/B RH (Instrument Panel RH)
6D		
6F		
6G		
6J		

 : Connector Joining Wire Harness and Wire Harness

Code	See Page	Joining Wire Harness and Wire Harness (Connector Location)
BE1	51	Engine Wire and Instrument Panel Wire (Upper the Glove Box)
BE2		
EA1	51	Instrument Panel Wire and Engine Room Main Wire (Left Kick Panel)
EA2		
EA4		
EE1	51	Instrument Panel Wire and Instrument Panel Wire (Instrument Panel RH)
EK2	51	Instrument Panel Wire and Floor Wire (Right Kick Panel)
KP1	52	Floor Wire and Frame No.2 Wire (Rear Side of Side Frame RH)
PA1	50	Frame No.2 Wire and Engine Room Main Wire (Right Dash Panel)

 : Ground Points

Code	See Page	Ground Points Location
E4	51	Left Kick Panel
K2	52	Rear Wheel House RH
K3		